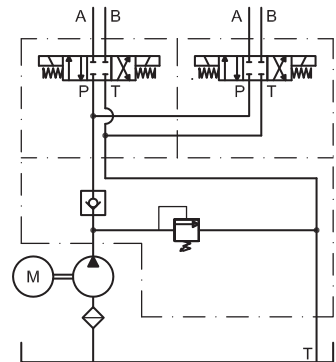


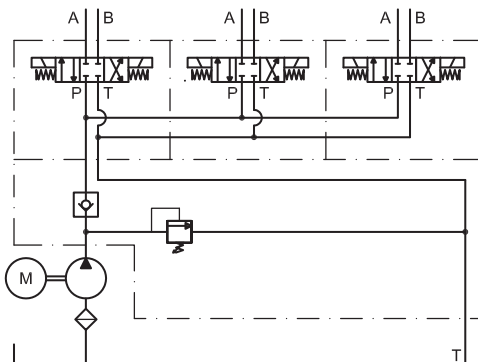
This power unit has a double acting circuit with SAE#6 (9/16-18) A & B ports. 3 position/4 way modular valve (D02) that can be stacked and combined with other modular options such as piloted check valves, flow control or even port pressure relief (See P.6 in accessories catalogue). This circuit design also utilize a cartridge check and adjustable relief valve. The magnetic four button remote control comes with 6 meters of cable. The gear pump is equipped with a suction screen attach to a 90° elbow inside the tank which comes with a 3/4" NPT breather/dipstick. Valves can be stacked vertically as per above picture, or horizontally over the DC motor.

OPTIONS:

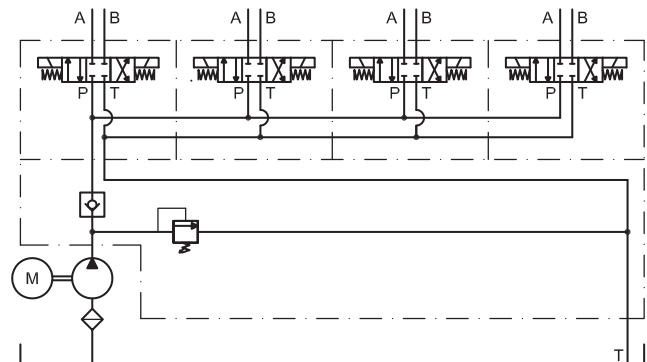
- ▶ **Motor:** DC 12 & 24v, or AC 115/230V, single phase or AC 230/460/575V three phase
- ▶ **Tank:** From 1.7 liters to 23.5 liters. Plastic or Steel
- ▶ **Pump:** 0.8, 1.0, 1.3, 1.6, 2.1, 2.5, 3.2, 4.2, 5.8 and 8.0cc
- ▶ **Mounting:** Vertical or Horizontal
- ▶ **Valve Mounting:** Vertical or Horizontal



MODEL 28



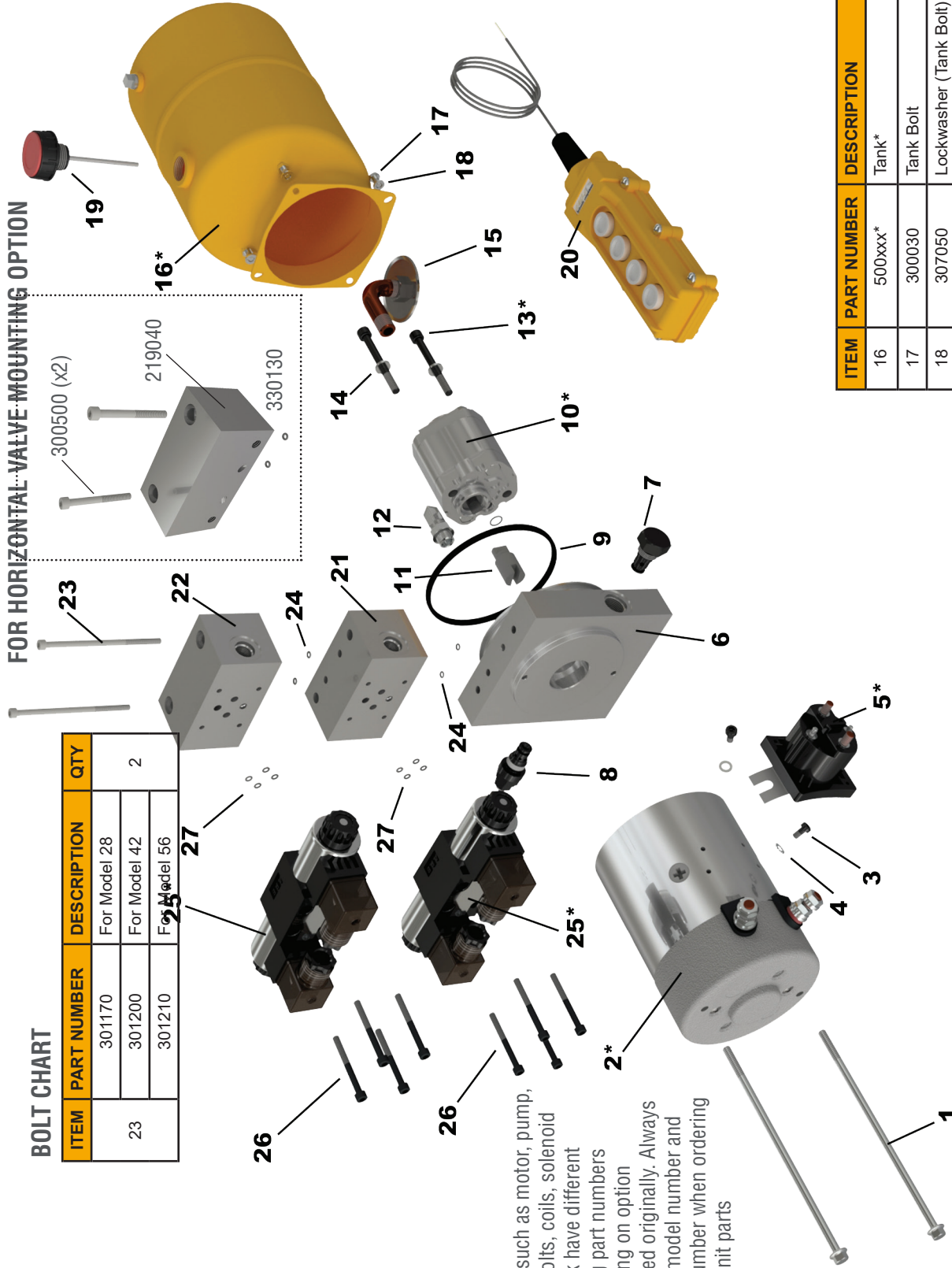
MODEL 42



MODEL 56

EXPLODED VIEW

FOR HORIZONTAL VALVE MOUNTING OPTION



BOLT CHART

ITEM	PART NUMBER	DESCRIPTION	QTY
23	301170	For Model 28	2
	301200	For Model 42	
	301210	For Model 56	

* items such as motor, pump, pump bolts, coils, solenoid and tank have different ordering part numbers depending on option purchased originally. Always specify model number and serial number when ordering power unit parts

ITEM	PART NUMBER	DESCRIPTION	QTY
16	500xxx*	Tank*	1
17	300030	Tank Bolt	4
18	307050	Lockwasher (Tank Bolt)	4
19	520030	Breather	1
20	630170	Remote Control	1
21	219050	Block	1
22	219060	Block	1
23	*See Bolt Chart	Block Bolt	2
24	330130	Block O-Ring	4
25	121xxx*	Solenoid Valve D02*	2
26	300500	Valve Bolt	8
27	330130	Valve O-Ring	8

ITEM	PART NUMBER	DESCRIPTION	QTY
8	111000	Relief Valve	1
9	330100	Tank O-Ring	1
10	400xxx*	Pump*	1
11	421000	Motor Coupler	1
12	310020	Block Elbow 90°	1
13	301xxx*	Pump Bolt*	2
14	307050	Lockwasher (Pump Bolt)	2
15	150012	Screen Filter Suction Elbow	1

ITEM	PART NUMBER	DESCRIPTION	QTY
1	300060	Motor Bolts	2
2	600xxx*	Motor*	1
3	300010	Solenoid Bolt	2
4	307000	Solenoid Washer	2
5	640xxx*	Solenoid*	1
6	210150	Block	1
7	110100	Checkvalve	1

MODEL 28,42,56

All product specifications are subject to change without prior notice.

WWW.EAGLE-HYDRAULIC.COM