

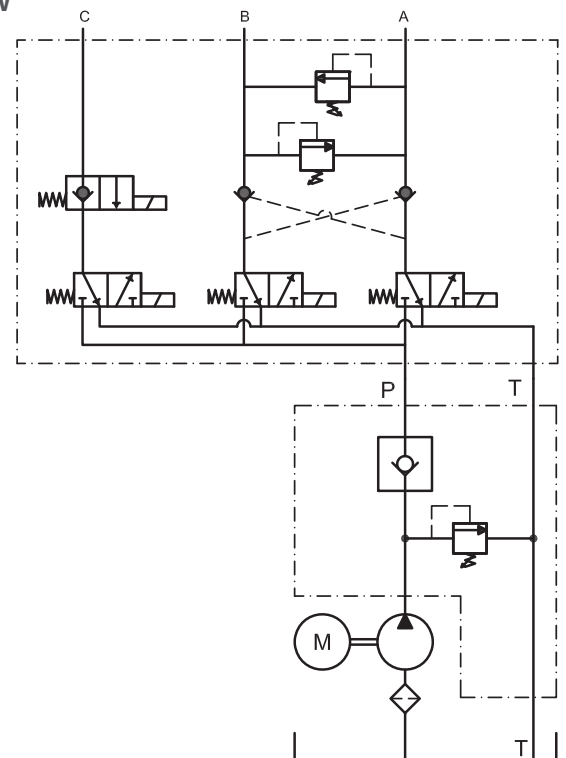
This power unit has a double acting circuit for left and right movement with cross-over relief system and pilot operated check valves. Also a single acting power up with check valve and gravity down circuit as well in a convenient one piece aluminum block. The main housing encloses a check and adjustable relief valve as per our standard. The gear pump is equipped with a suction screen attach to a 90° elbow inside the tank which comes with a 3/4" NPT breather/dipstick. Comes standard with our 4 button remote control.

OPTIONS:

- ▶ **Motor:** DC 12 & 24v, std or powder coated long duty in 12v
- ▶ **Tank:** From 1.7 liters to 23.5 liters. Plastic or Steel
- ▶ **Pump:** 0.8, 1.0, 1.3, 1.6, 2.1, 2.5, 3.2, 4.2, 5.8 and 8.0cc
- ▶ **Mounting:** Vertical or Horizontal

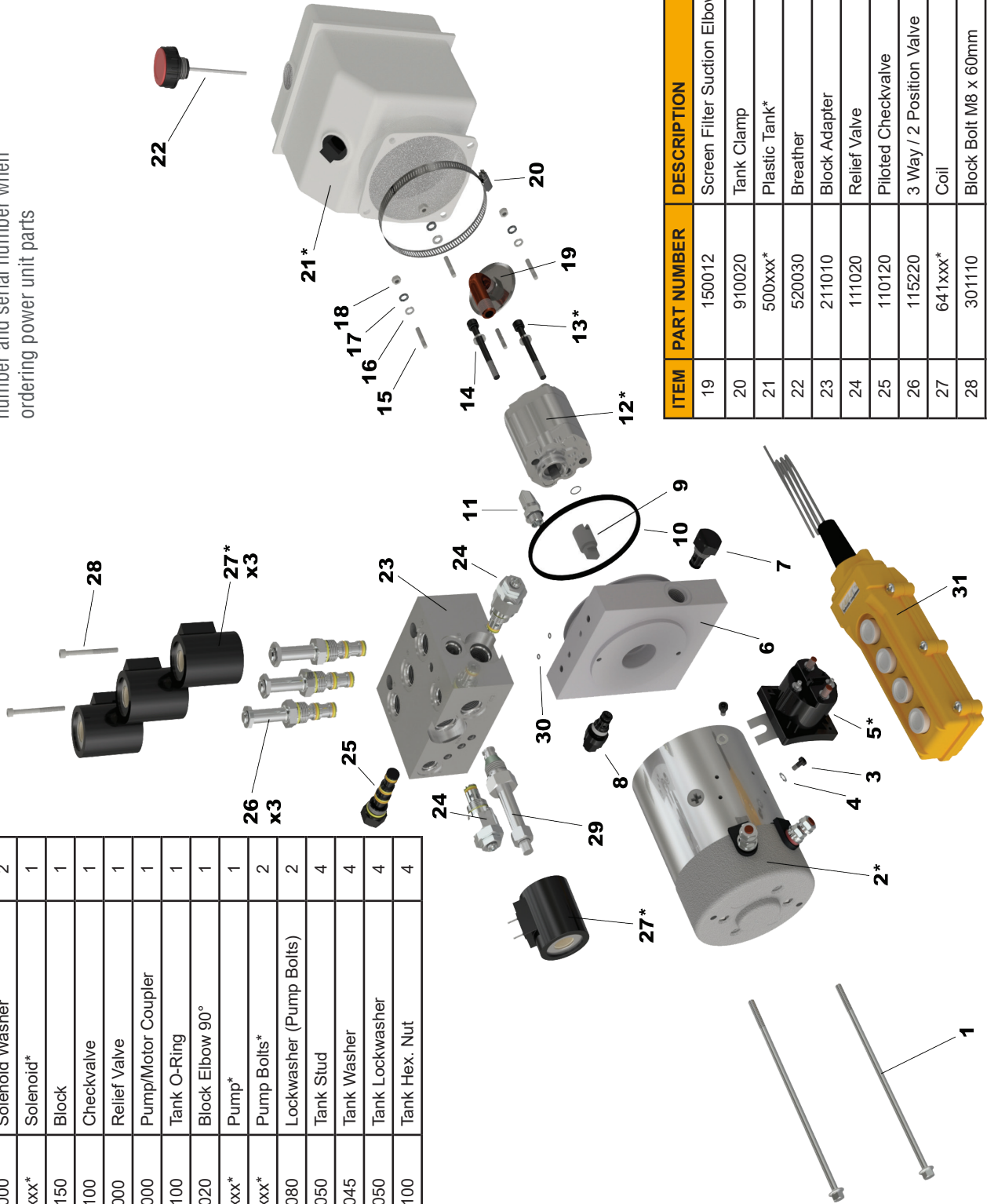
TYPICAL APPLICATION:

- ▶ **Snow Plow**
- ▶ **System requiring Power Up with check, Gravity Down, Left, Right**



EXPLODED VIEW

* items such as motor, pump, pump bolts, coils, solenoid and tank have different ordering part numbers depending on option purchased originally. Always specify model number and serial number when ordering power unit parts



ITEM	PART NUMBER	DESCRIPTION	QTY
1	300060	Motor Bolts	2
2	600xxx*	Motor*	1
3	300010	Solenoid Bolt	2
4	307000	Solenoid Washer	2
5	640xxx*	Solenoid*	1
6	210150	Block	1
7	110100	Checkvalve	1
8	111000	Relief Valve	1
9	421000	Pump/Motor Coupler	1
10	330100	Tank O-Ring	1
11	310020	Block Elbow 90°	1
12	400xxx*	Pump*	1
13	301xxx*	Pump Bolts*	2
14	307080	Lockwasher (Pump Bolts)	2
15	300050	Tank Stud	4
16	300045	Tank Washer	4
17	307050	Tank Lockwasher	4
18	307100	Tank Hex. Nut	4

ITEM	PART NUMBER	DESCRIPTION	QTY
19	150012	Screen Filter Suction Elbow	1
20	910020	Tank Clamp	1
21	500xxx*	Plastic Tank*	1
22	520030	Breather	1
23	211010	Block Adapter	1
24	111020	Relief Valve	2
25	110120	Piloted Checkvalve	1
26	115220	3 Way / 2 Position Valve	3
27	641xxx*	Coil	4
28	301110	Block Bolt M8 x 60mm	2
29	115200	Valve w/ Manual Override	1
30	330110	Block O-Ring	2
31	630170	Remote Control	1

MODEL 06

All product specifications are subject to change without prior notice.

WWW.EAGLE-HYDRAULIC.COM