



This power unit has a single acting circuit with two SAE#6 (9/16-18) ports for straight or 90° hose connection option. 2 position/2 way manual valve with internal check. This circuit design also utilise a cartridge check and adjustable relief valve. The gear pump is equipped with a suction screen attach to a 90° elbow inside the tank which comes with a 3/4" NPT breather/dipstick.

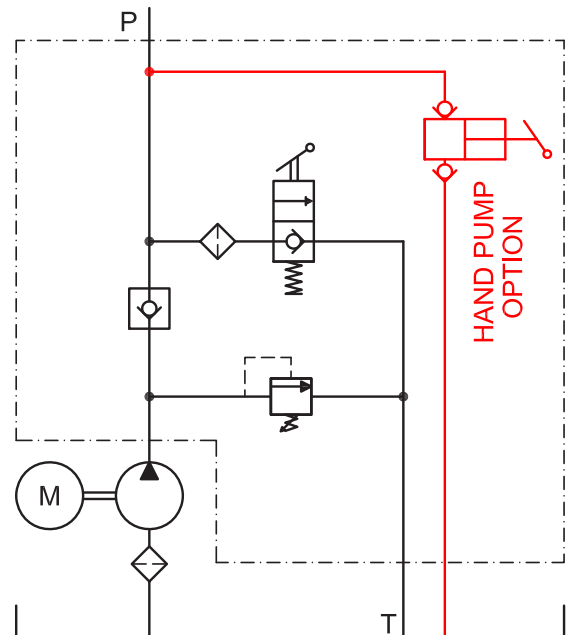
### OPTIONS:

- ▶ **Motor:** DC 12 & 24v, or AC 115/230V, single phase or AC 230/460/575V three phase
- ▶ **Tank:** From 1.7 liters to 23.5 liters. Plastic or Steel
- ▶ **Pump:** 0.8, 1.0, 1.3, 1.6, 2.1, 2.5, 3.2, 4.2, 5.8 and 8.0cc
- ▶ **Mounting:** Vertical or Horizontal
- ▶ **10cc Manual Hand Pump:** Only 1 outlet port with this option

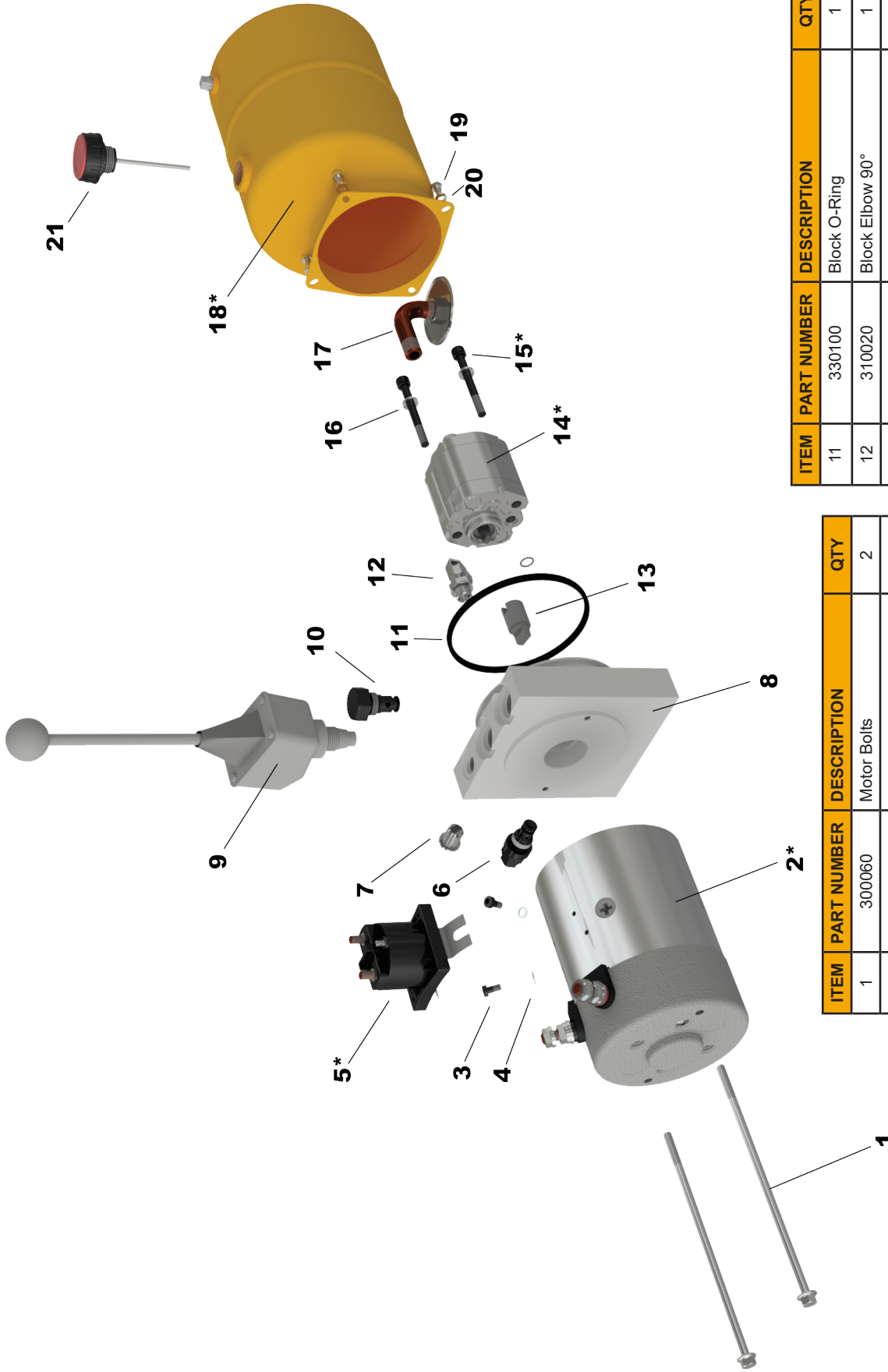


### TYPICAL APPLICATION:

- ▶ **Pressure Up / Gravity Down System**
- ▶ **Dump Trailer**
- ▶ **Single Acting Telescopic Cylinders**
- ▶ **Scissor Lift**
- ▶ **Carlift**



# EXPLODED VIEW



ITEM	PART NUMBER	DESCRIPTION	QTY
11	330100	Block O-Ring	1
12	310020	Block Elbow 90°	1
13	421000	Pump/Motor Coupler	1
14	400xxx*	Pump*	1
15	301xxx*	Pump Bolts*	2
16	307080	Lockwasher (Pump Bolts)	2
17	150012	Screen Filter Suction Elbow	1
18	500xxx*	Tank*	1
19	300030	Tank Bolt	4
20	307050	Lockwasher (Tank Bolt)	4
21	520030	Breather	1

ITEM	PART NUMBER	DESCRIPTION	QTY
1	300060	Motor Bolts	2
2	600xxx*	Motor*	1
3	300010	Solenoid Bolt	2
4	307000	Solenoid Washer	2
5	640xxx*	Solenoid*	1
6	111000	Relief Valve	1
7	315000	Block Plug	1
8	210020	Block	1
9	115230	Manual Valve	1
10	110100	Checkvalve	1

\* items such as motor, pump, pump bolts, coils, solenoid and tank have different ordering part numbers depending on option purchased originally. Always specify model number and serial number when ordering power unit parts

# MODEL 03

All product specifications are subject to change without prior notice.

WWW.EAGLE-HYDRAULIC.COM