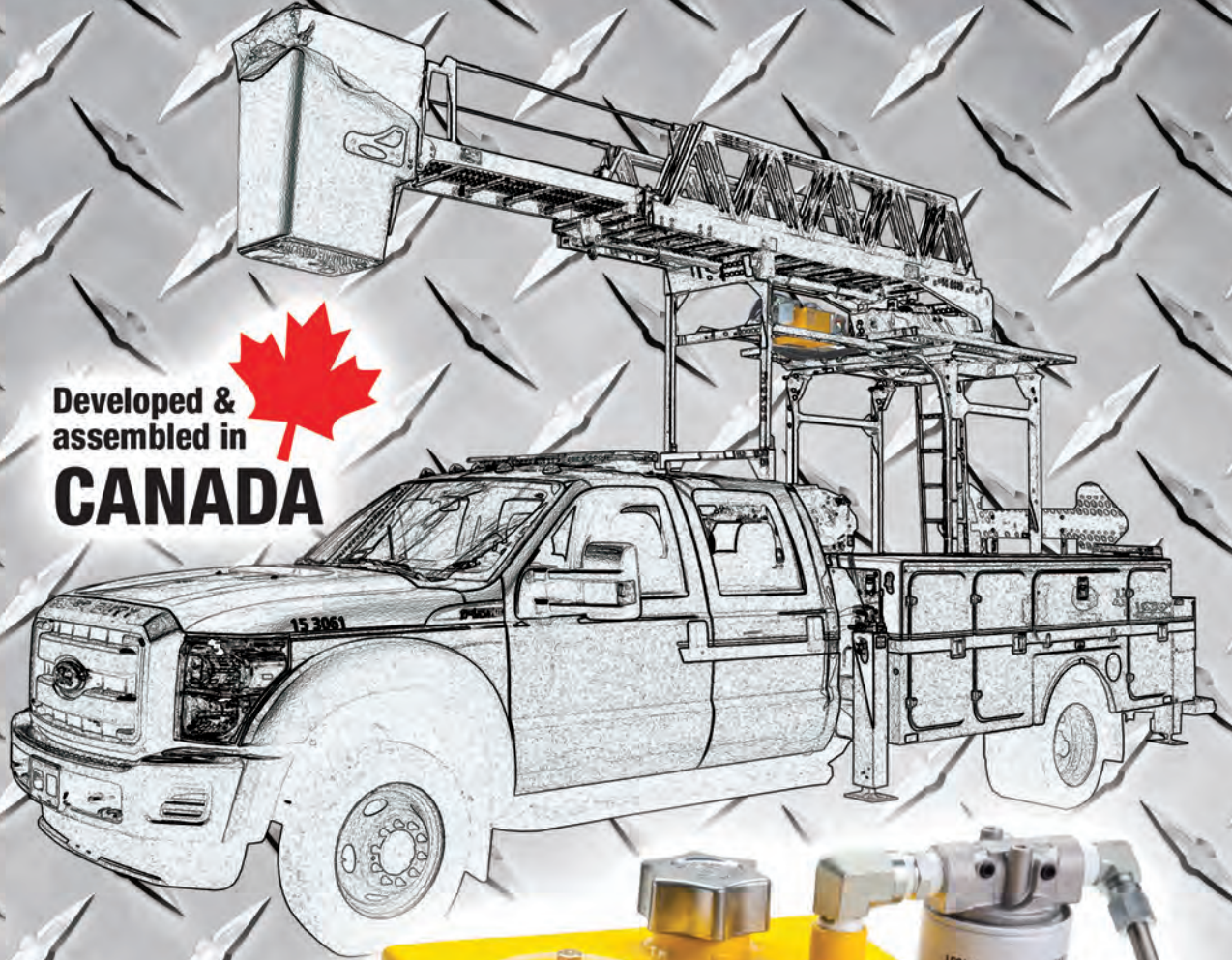


**CUSTOM POWER UNIT**

Developed & assembled in

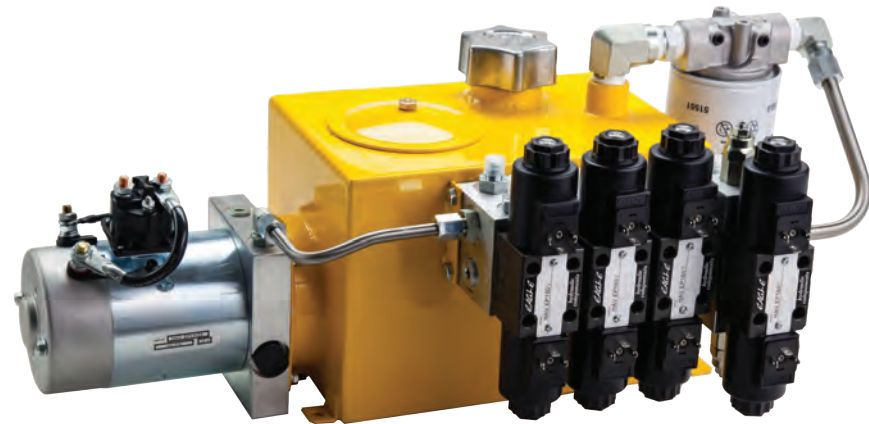


**CANADA**



# EAGLE HYDRAULIC COMPONENTS

YOUR ONE STOP SHOPPING SOURCE FOR ADDED VALUE AND QUALITY PRODUCTS



AERIAL LADDER CUSTOM POWER UNIT

## FEATURES:

- Single or Double Acting Configuration and More...
- 3 Ranges of DC Motors: Standard, Heavy Duty & Long Duty
- Power Up, Down or Both
- Multiple Relief Valves Available
- 12, 24 DC Voltage
- 115, 230 & 575 AC Voltage
- Pump Flow 0.75cc to 8.0cc
- Reservoir Tanks in Metal or Plastic, Round or Square
- Shrink Tube Covered Wires
- Manual Control, 2 or 4 Buttons
- Wireless Remote - Long Range
- 20' Manual Remote Cable with 10' Optional Extension
- Lower Amperage Draw
- Isolated Ground
- Low Noise
- Pressure Tested at 3000 PSI
- Minimal Rebound Solenoid
- Pump Independantly Tested for 300, 000 Cycles
- Water Resistant DIN Connector



AC MOTOR POWER UNIT STATION

115, 230 2 & 3 HP,  
575 AC VOLT  
MOTORS

CUSTOM MANIFOLD BLOCK

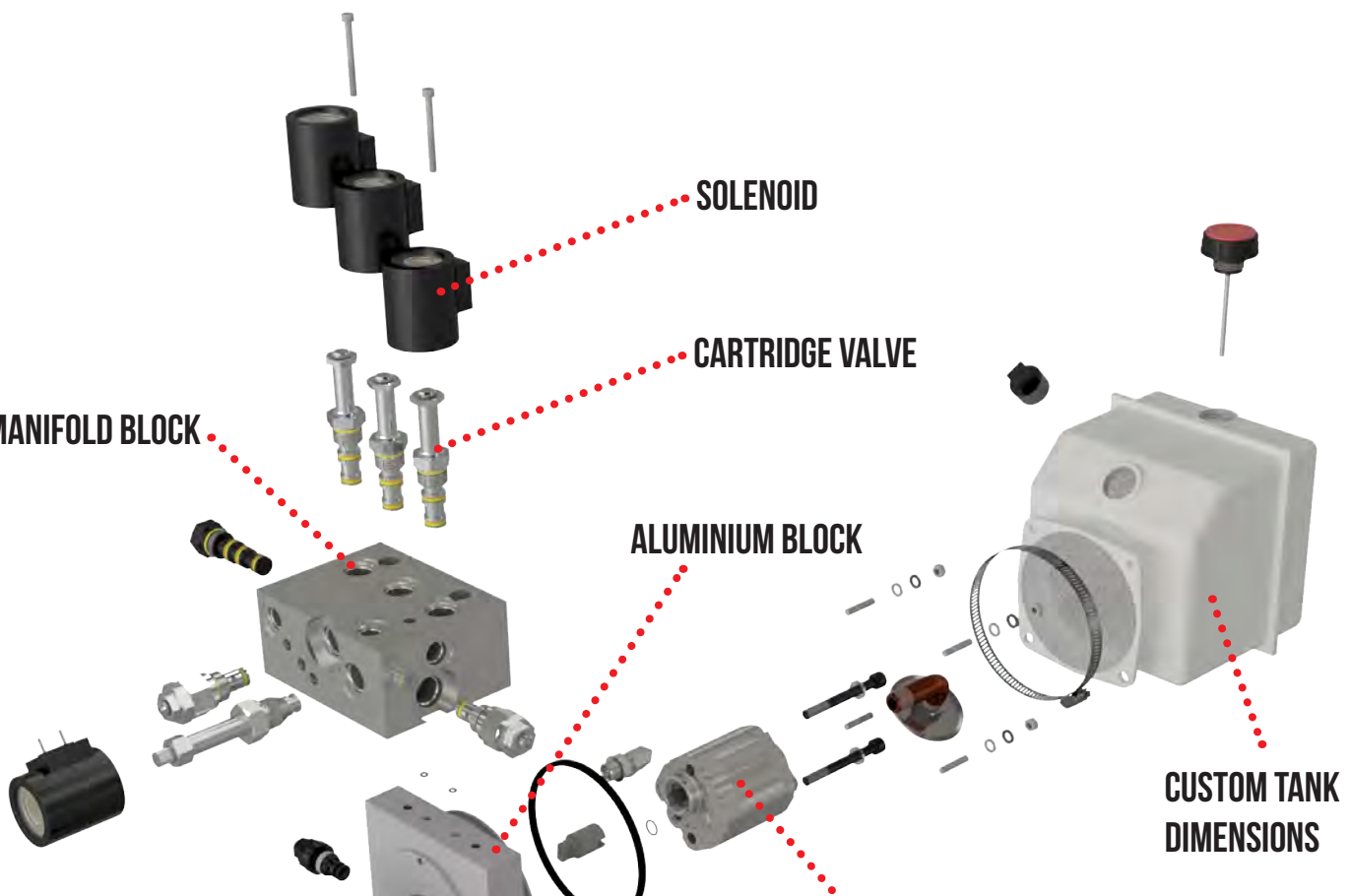
SOLENOID

CARTRIDGE VALVE

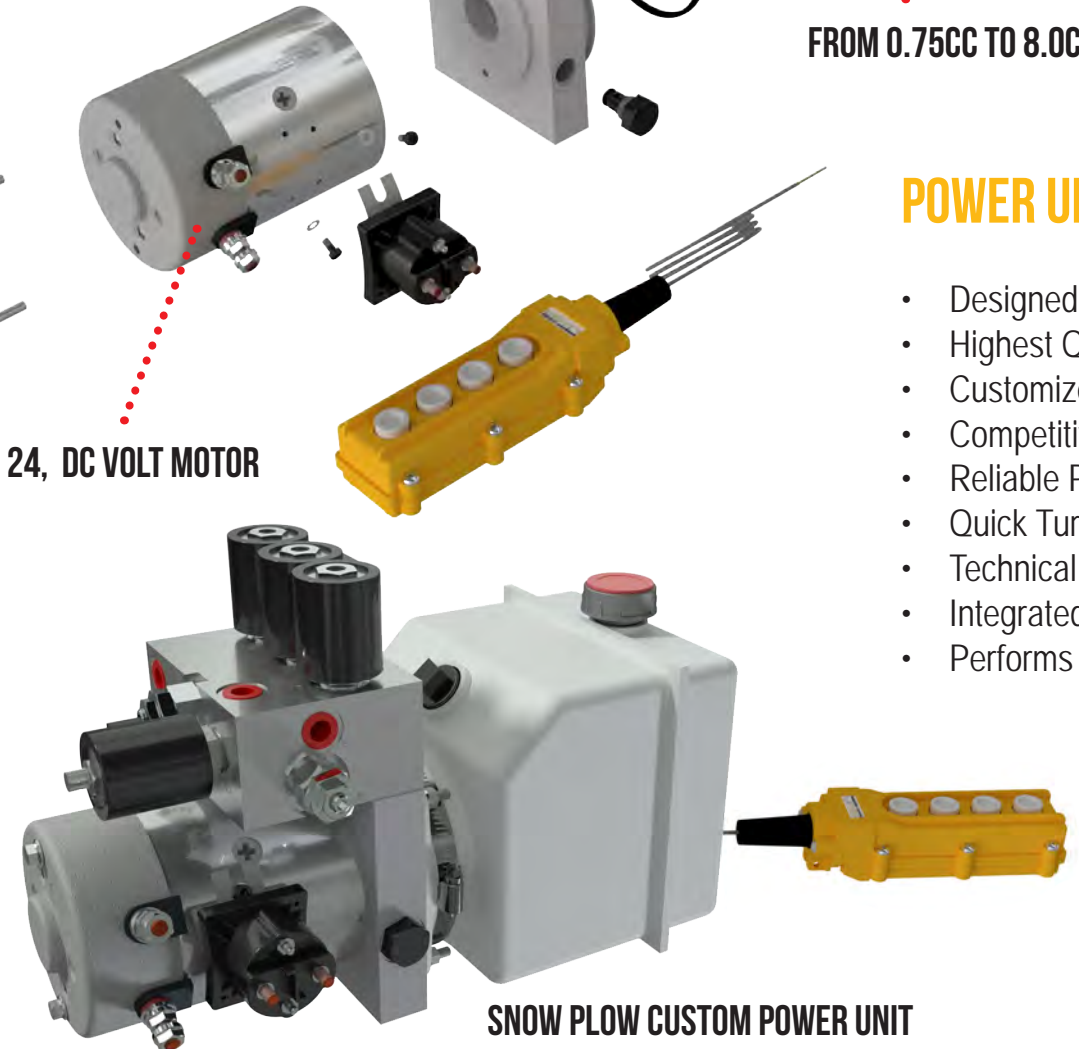
ALUMINIUM BLOCK

CUSTOM TANK  
DIMENSIONS

FROM 0.75CC TO 8.0CC PUMP



12, 24, DC VOLT MOTOR



SNOW PLOW CUSTOM POWER UNIT

## POWER UNIT BENEFITS:

- Designed & Assembled in Canada
- Highest Quality Components
- Customized to the Application
- Competitive Warranty
- Reliable Performance
- Quick Turnaround
- Technical Support
- Integrated Solutions
- Performs in Hot & Cold Climates



ASSEMBLED IN CANADA



12055 Arthur Sicard, Mirabel, Québec, Canada, J7J 0E9  
 Tel: 450-433-2800 / 1-877-382-2850  
 Fax: 450-433-3004 / 1-877-382-2853  
[www.eagle-hydraulic.com](http://www.eagle-hydraulic.com)



## MARKETS



**AERIAL TRUCK**

**AGRICULTURE**

**MATERIAL HANDLING**

**TRUCK & TRAILER**

**AUTO LIFT**

**CONSTRUCTION**

**SNOW EQUIPMENT**

**WASTE & REFUSE**

## TYPES



**DC POWER UNIT**

**GAS POWER UNIT**

**AC POWER UNIT**

## OUR CATALOGS

